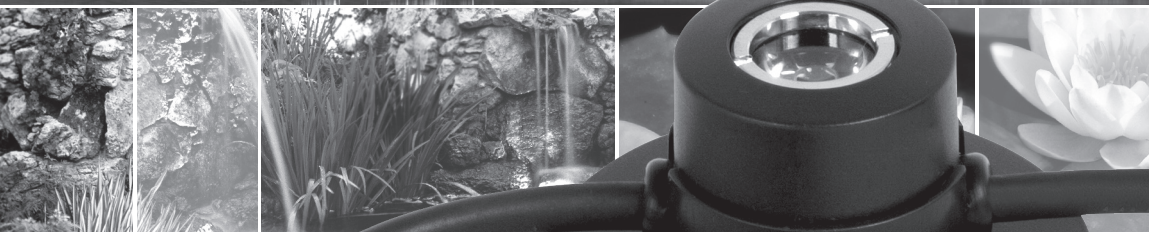


# *PondMAX*

WATERGARDENING TO THE MAX

## FOUNTAIN & WATERFALL LED

INSTRUCTION MANUAL



**888.868.1185**

**info@pondmax.com**

**www.pondmax.com**

Conforms to  
ANSI/UL Std. 1838



Cert. to CAN/CSA  
Std. C22.2 No. 250

**Intertek**  
5012909

VERSION  
MARCH 2017



# WELCOME TO THE WORLD OF PONDMAX™.

YOU MADE THE **RIGHT** CHOICE INVESTING IN THIS **QUALITY** PRODUCT. THANK YOU AND **ENJOY**.

BEFORE USING THIS PRODUCT, PLEASE READ THESE INSTRUCTIONS CAREFULLY AND FAMILIARIZE YOURSELF WITH THE UNIT. PLEASE KEEP THESE INSTRUCTIONS IN A SAFE PLACE FOR FUTURE REFERENCE.

## INSTRUCTIONS INCLUDE

TECHNICAL SPECIFICATIONS

DESIGN HIGHLIGHTS

BENEFITS INCLUDE

IMPORTANT SAFEGUARDS

INSTALLATION AND MAINTENANCE

- Transformer (Please note: Transformer comes with "3 Light Kit" only. "Add-On Light" does not come with transformers. A 12-Volt AC transformer can be purchased separately to power lights.)
- Transformer Adapter Cable
- Photocell Light Sensor (optional)
- RF Dimmer Controller & Remote (optional)
- 3 Light Kit
- Add-On Light (optional)
- Extension Cables (optional)
- Splitters (optional)

PARTS BREAKDOWN

TROUBLESHOOTING

WARRANTY

## TECHNICAL SPECIFICATIONS

DESCRIPTION	POWER CONSUMPTION	VOLTAGE	CABLE LENGTH	TRANSFORMER
24PL678 Fountain & Waterfall 3-Light Kit w/ Transformer	2.8 Watts (x3)	8-16Volt AC/DC	16 Ft + 5 Ft + 5 Ft	18 Watt
24PL679 Fountain & Waterfall Add-On Light	2.8 Watts	8-16Volt AC/DC	9 Ft.	Not included
24ST480 Dimmer Controller w/Remote *	1 Watt	8-16Volt AC	N/A	N/A
24ST430 Photocell Sensor *	N/A	8-16Volt AC	N/A	N/A

\* OFFERED SEPARATELY

# FOUNTAIN & WATERFALL LED

## DESIGN HIGHLIGHTS

The PondMAX Fountain & Waterfall Lights have been manufactured to provide you with the best quality lighting system for your fountain or waterfall. Visit our website [www.pondmax.com](http://www.pondmax.com) to view our complete range of pond filtration, pumps, water treatments and all other pond and water feature related products.

- Your PondMAX LED Fountain & Waterfall Light has been manufactured with advanced technology and quality materials to ideally integrate into any water feature or pond, thanks to their compact design.
- PondMAX lights have a sealed glass lens and are suitable for use in or out of water.
- The PondMAX light emits a soft white tone, equivalent to the feel of a halogen style light but with much lower energy consumption.
- PondMAX long-lasting lights provide years of ease and maintenance-free satisfaction.
- The lights can be daisy chained in series to simplify the installation wiring requirements and do not require a certified electrician to install.
- A 115 volt transformer converts the power supply to a safe 12 volts for peace of mind in your pond or garden. (Please note: Part #24PL679 "Add-On Light", does not come with transformer. You must purchase a 12 Volt AC transformer separately to power the lights.) Always use a transformer that has a greater wattage output than the total wattage requirement of your lighting system.

## BENEFITS INCLUDE

*The benefits of this product lay in the root meaning of the word "system" (noun) 1) regularly interacting or interdependent group of items forming a unified whole.*

What PondMAX has achieved in designing a modular Lighting System is greater than the product by itself. PondMAX has created a whole set of products that can be arranged in so many different configurations, that you will be hard pressed to prove that it will not work for you. Follow through the remaining portion of this manual to see for yourself and the ways your light system can help you make your outdoor living easy.

## IMPORTANT SAFEGUARDS

Correct and safe use of the system requires strict compliance with the safety instructions. For safety reasons, persons less than 16 years of age or persons that are not familiar with these instructions should not use this equipment.

### **WARNING: RISK OF ELECTRIC SHOCK!**

- Connect to a UL CLASS 2 approved 12 volt transformer only. For your own safety, disconnect from the power supply before any maintenance. Always unplug the transformer from the power supply when not in use. Never pull the cable to disconnect the plug from the power supply - grasp the plug and pull to disconnect.
- Use only in ponds and small decorative fountains where persons will immerse no more than their hands and lower arms, while the product is energized.
- DO NOT use in water intended for swimming, wading, or bathing.
- All installer fabricated wire connections must be located outside of the pond or fountain.
- Low voltage circuit must be supplied by a power unit marked as suitable for supplying submersible luminaries.
- Power unit must be supplied by a circuit protected by a ground fault circuit interrupter (GFCI).
- CAUTION: For use only on a branch circuit protected by a Class-A Type Ground Fault Circuit Interrupter. The transformer power unit must be supplied by a circuit protected by a ground fault circuit interrupter (GFCI).
- Maximum immersion depth: 3 Ft

### **AVERTISSEMENT: RISQUE DE CHOC ÉLECTRIQUE!**

- Se connecter à un transformateur de 12 volts homologué UL CLASSE 2 seulement. Pour votre propre sécurité, débranchez l'alimentation électrique avant tout entretien. Débranchez toujours le transformateur de l'alimentation électrique lorsqu'il n'est pas utilisé. Ne tirez jamais sur le câble pour débrancher la fiche de l'alimentation électrique - saisissez la fiche et tirez pour débrancher.
- Utiliser seulement dans les bassins et les petites fontaines décoratives où les personnes ne plongeront pas plus que leurs mains et leurs bras inférieurs pendant que le produit est sous tension.
- NE PAS utiliser dans l'eau destinée à nager, à patauger ou à prendre un bain.
- Toutes les connexions de fils fabriqués par l'installateur doivent être situées à l'extérieur de l'étang ou de la fontaine.
- Le circuit basse tension doit être alimenté par une unité d'alimentation marquée comme appropriée pour fournir des luminaires submersibles.
- L'unité d'alimentation doit être alimentée par un circuit protégé par un disjoncteur de fuite à la terre (GFCI).
- ATTENTION: A utiliser uniquement sur un circuit de dérivation protégé par un disjoncteur de fuite à la terre de type A. L'alimentation du transformateur doit être alimentée par un circuit protégé par un disjoncteur de fuite à la terre (GFCI).
- Profondeur maximale d'immersion: 3 pi

## PRODUCT SPECIFIC SAFEGUARDS

- Avoid connecting the power supply to an extension cord. Please connect the transformer directly to an outdoor GFCI protected hooded, flush style, cover plate receptacle marked "Wet Location", while in use.
- Do not operate the light system if the appliance or any components of the system, such as the power cable, has been damaged. Check appliance for defects regularly.
- Do not operate the lighting system without checking that the connections are tight first.
- When used in submerged application, be sure the equipment does not come in contact with chlorine, hydrogen peroxide or other oxidizers. The maximum immersion depth should not exceed 3Ft.
- If used externally, keep away from other heat generating equipment such as patio heaters etc.
- The lights are designed to be used inside fountains, directly or used in a pond. Never shall these lights be used in human body immersion applications (spa or pool).
- Any damage to the equipment or unmerited operation will bring dangers to the surrounding precincts. If there is any damage of the equipment, it must not be used. The equipment should be placed out of reach of children.
- To avoid an electric shock, do not attach the plug to the power supply socket with wet hands. The drip loop method should be used to prevent water from traveling down the cable and onto the plug or power supply. If the plug does get wet, do not unplug the cable. Disconnect the circuit breaker that supplies power to the power supply point. Then unplug and examine the plug and power supply point for presence of water. If the power point has become wet, you should consult an electrician before using the power point again.
- Do not install or store the appliance where it will be exposed to extreme hot or cold temperatures. Do not use in water above 95°C.
- Do not cut the fixture cable as this may result in voiding your warranty.
- Care should be taken to arrange the power cable so that it cannot be accidentally tripped over or pulled.
- Do not attempt to repair the electrical appliance yourself. Return to an authorized service center or place of purchase if a fault occurs, (regular maintenance is not considered repair and is required by user).

## INSTALLATION AND MAINTENANCE

### TRANSFORMER

The transformer is the power supply that is required for your PondMAX lighting system to work. You are not required to use the PondMAX brand transformer specifically and in some configurations you may want to integrate your PondMAX lighting system into an existing low voltage power source. Please read the below instruction either way, to get an understanding of the requirements for the PondMAX lighting system installation. (Please note: Part #24PL679 "Add-On Light", does not come with transformer. You must purchase a 12 Volt AC transformer separately to power lights.) Always use a transformer that has a greater wattage output than the total wattage requirement of your lighting system.



#### **WARNING: RISK OF ELECTRIC SHOCK!**

- CAUTION: for use only on a branch circuit protected by a Class-A Type Ground Fault Circuit Interrupter.
- For use with pond and landscape lighting systems only.
- This device is accepted as a component of a landscape lighting system where the suitability of the combination shall be determined by CSA or a local inspection authorities having jurisdiction.
- Do not use extension cords to supply power to the transformer.
- Do not connect two or more power supplies in parallel.
- Do not use with a 120 volt dimmer.
- Power supplies are for outdoor use only.
- Not for use with pool/spa equipment.
- Ensure any irrigation is not directly spraying the transformer.



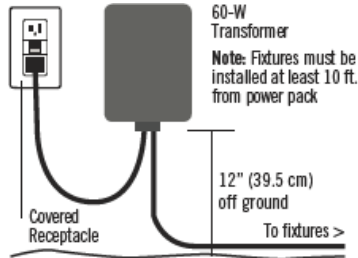
#### **AVERTISSEMENT: RISQUE DE CHOC ÉLECTRIQUE!**

- ATTENTION: à utiliser uniquement sur un circuit de dérivation protégé par un disjoncteur de fuite à la terre de type A.
- Pour utilisation avec les systèmes d'éclairage d'étang et de paysage seulement.
- Cet appareil est accepté en tant que composant d'un système d'éclairage paysager où l'aptitude de l'ensemble doit être déterminée par l'ASC ou par les autorités d'inspection locales compétentes.
- N'utilisez pas de rallonges pour alimenter le transformateur.
- Ne connectez pas deux alimentations ou plus en parallèle.
- Ne pas utiliser avec un variateur de 120 volts.
- Les alimentations électriques sont destinées à un usage extérieur uniquement.
- Ne pas utiliser avec l'équipement de piscine / spa.
- Assurez-vous que l'irrigation ne pulvérise pas directement le transformateur.

# FOUNTAIN & WATERFALL LED

## TRANSFORMER INSTALLATION

Install the transformer unit 10 feet (3.05 m) or more from a water feature and 12 inches (0.3m) above the ground. Mount the transformer to a secure object such as a post or on the side of your home. (See diagram below)



- If required, have a qualified electrician install an outdoor GFCI protected hooded flush type cover plate receptacle marked "Wet Location" and following the requirements above.
- Route fixture cable to desired fixture locations. CAUTION: Fixture(s) must be installed in accordance with all local codes and ordinances.
- Follow the remaining steps in this manual before plugging in the transformer to a GFCI outdoor electrical outlet that has a weather-resistant cover. Do not use an extension cord to supply power to transformer.

## MAINTENANCE

- Do not submerge transformer.
- Do not repair, or tamper with the power cord or plug.
- Keep transformer free of debris and/or plant life to reduce the risk of fire.

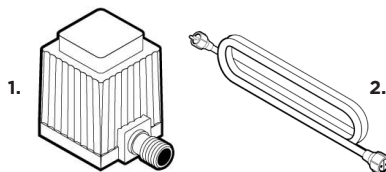
## TRANSFORMER ADAPTER CABLES

### INSTALLATION

- Connect your 3ft. transformer adapter cable (2) plug to the outlet side of the transformer (1) and tighten the rubber nut to ensure a safe connection. Please note: The transformer adapter cable is not needed when adding an "Add-On Light" to your existing PondMAX lighting system, even though it is included in Add-On Light box.
- The transformer adapter cable can also be cut and spliced rather than light cable itself, to allow connection to any other approved 12volt AC transformer. This will not void the warranty of the lighting system.

## MAINTENANCE

- Do not submerge the transformer adapter cable.
- Check that the connections on the transformer adapter cable are tight on a periodic bases.



\* ALL PICTURES SHOWN ARE FOR ILLUSTRATION PURPOSE ONLY. ACTUAL PRODUCT MAY VARY

## PHOTOCELL LIGHT SENSOR (OPTIONAL)

The Photocell Light Sensor is an item purchased separately to provide your PondMAX lighting system with the ability to turn on automatically at dusk and turn off at dawn.

### WARNING:

- Do not submerge the photocell sensor.
- Ensure that irrigation is not directly spraying the photocell.

### AVERTISSEMENT:

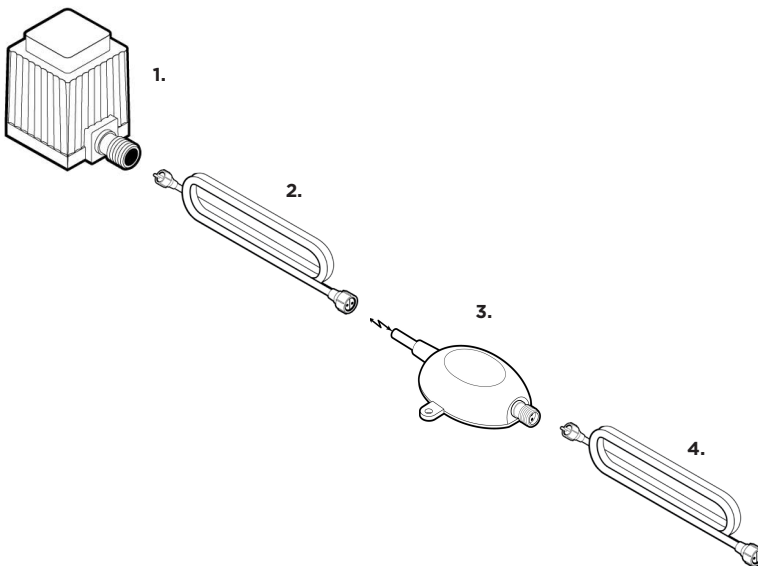
- Ne plongez pas le capteur de cellule photoélectrique.
- Assurez-vous que l'irrigation ne pulvérise pas directement le capteur de cellule photoélectrique.

## INSTALLATION

- The dusk-till-dawn photocell sensor (3) comes with an additional 3ft. transformer adapter cable (2). This adapter cable must be used to connect the photocell from the "Inlet" port, directly to the transformer (1).
- Then use the 3ft. transformer adapter cable (4) that is provided with your light, to connect to the "Outlet" port of the photocell sensor (3).
- Tighten the rubber nuts to ensure safe connections.
- Mount the photocell sensor 12 inches (0.3M) above the ground and at least 10ft. (3.5m) from the water feature.
- Make sure that the photo eye on top of photocell sensor is fully exposed to the daylight and is clear of any foliage. Also make sure it is free from the beam of any lights, which may be on at night. This will prevent it from working correctly.

## MAINTENANCE

- Do not submerge the photocell sensor.
- Keep the photocell lens on top of the unit clean from dirt and other debris.



\* ALL PICTURES SHOWN ARE FOR ILLUSTRATION PURPOSE ONLY. ACTUAL PRODUCT MAY VARY

# FOUNTAIN & WATERFALL LED

## RF DIMMER CONTROLLER & REMOTE (OPTIONAL)

The 12 volt RF Dimmer Controller and Remote (3) is an optional accessory for the PondMAX Fountain & Waterfall lighting system. It provides you the ability to dim the lights as well as power on and off, from a distance of up to 30 feet away. (NOTE: The RF Dimmer Controller is rated for up to 36 watts maximum.)

### WARNING:

- Suitable for outdoor use only.
- Keep out of direct sunlight. Keep in well ventilated area to disperse heat.
- For installation in or on non-combustible materials only.
- Do not submerge the dimmer controller.
- Ensure that any irrigation is not directly spraying the dimmer controller.
- Never connect more than 36 watts of lighting to a single dimmer controller (refer to page 1 for light specifications).

### AVERTISSEMENT:

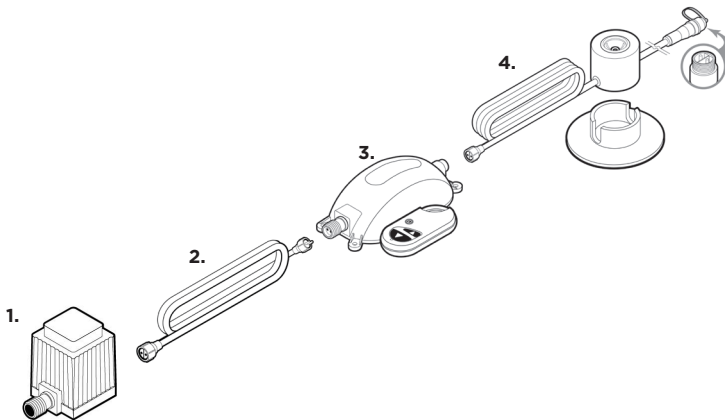
- Convient pour une utilisation en extérieur seulement.
- Ne pas exposer à la lumière directe du soleil. Conserver dans un endroit bien ventilé pour disperser la chaleur.
- Pour l'installation dans ou sur des matériaux non combustibles seulement.
- Ne submergez pas le variateur.
- Assurez-vous que l'arrosage ne pulvérise pas directement le variateur.
- Ne connectez jamais plus de 36 watts d'éclairage à un seul variateur (reportez-vous à la page 1 pour les spécifications d'éclairage).

## INSTALLATION

- Use the 3 ft. transformer adapter cable (2) that is provided with your light, to connect the transformer (1) or optional photocell sensor (not pictured) to the inlet side of dimmer controller (3).
- Then attach your starter light fixture cable (4) to the outlet side of the dimmer controller (3).
- Tighten the rubber nuts to ensure safe connections.
- Mount the dimmer controller 12 inches (0.3m) above the ground and at least 10ft (3.5m) from a water feature.
- Make sure that the dimmer controller is not exposed to direct sunlight and in a well ventilated area to avoid overheating.
- Carefully install the battery (if necessary) into your remote (3) shown with dimmer.

## MAINTENANCE

- Do not submerge the dimmer controller or remote at any time.
- Replace the remote battery periodically to ensure uninterrupted use.



\* ALL PICTURES SHOWN ARE FOR ILLUSTRATION PURPOSE ONLY. ACTUAL PRODUCT MAY VARY

## 3-LIGHT KIT

The PondMAX 3-Light Kit lighting system provides convenience for multi-fixture, Fountain & Waterfall applications. The 3-Light Kit provides a 16ft underwater cable to the first light and 5ft between the 2 additional fixtures, which are hard wired. These lights also include an underwater daisy chain connector (1) that extends from the last fixture, which can be used to connect more lights to your lighting system. These lights are designed to work in or out of the water and can be used for many purposes to fit your needs. (Please note: The "3-Light kit" is provided with a transformer but the single "Add-On Light" does not come with transformer.) Always use a transformer that has a greater wattage output than the total wattage requirement of your lighting system.

### WARNING:

- Suitable for outdoor use only.
- DO NOT use in water intended for swimming, wading, immersion, or bathing.
- DO NOT tamper with the light cable or connectors, as this can result in injury and may void the warranty.
- When using optional RF Dimmer Controller, DO NOT exceed 36 watts of lighting (refer to page 1 for lighting specifications).

### AVERTISSEMENT:

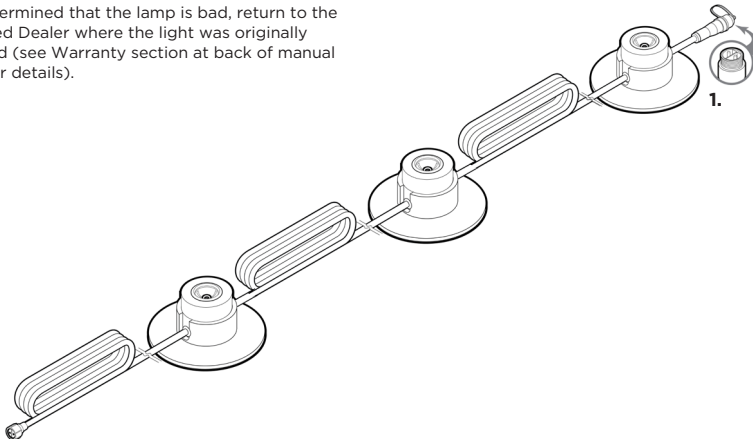
- Convient pour une utilisation en extérieur seulement.
- NE PAS utiliser dans l'eau destinée à la baignade, à la baignade, à l'immersion ou au bain.
- NE PAS altérer le câble d'éclairage ou les connecteurs, car cela pourrait entraîner des blessures et annuler la garantie.
- Lors de l'utilisation du régulateur de gradateur RF en option, NE PAS dépasser 36 watts d'éclairage (reportez-vous à la page 1 pour les spécifications d'éclairage).

## INSTALLATION

- Install your 3-lights in the desired place in your fountain or waterfall.
- Run the 16ft cable back to your 3ft transformer adapter cable.
- Connect your light cable connector to the remaining transformer adapter cable and tighten the plastic nut to ensure a safe connection.
- Bury the cable 6" below the surface to protect it from damage. Avoid damage to the cable from knives, shovels and stones.
- Now plug the transformer into power supply and test your light. (Note: Remember if you are using a photocell to wait until dark to confirm the system is working correctly.)
- If not being used, ensure the cap on the underwater daisy chain connector (1) at end of 3-light kit or Add-On light is tight, to prevent leaking which could cause a short circuit.

## MAINTENANCE

- Clean the lens of the light as often as felt needed.
- Check cable connections to make sure they are tight and waterproof on a regular basis.
- If it is determined that the lamp is bad, return to the Authorized Dealer where the light was originally purchased (see Warranty section at back of manual for further details).



\* ALL PICTURES SHOWN ARE FOR ILLUSTRATION PURPOSE ONLY. ACTUAL PRODUCT MAY VARY



# FOUNTAIN & WATERFALL LED

## ADD-ON LIGHT

The Add-On Fountain & Waterfall Lights are perfect for extending your lighting system or used as just a single light. The Add-On light comes with a 9ft underwater cable to connect directly to a 3-Light Kit, another Add-On Light or can be used by itself. Similar to the 3-Light Kit, these lights include an underwater daisy chain connector that extends from the fixture, to continue the sequence on if desired. (Add-On lights are not provided with transformer but do come with 3ft transformer adapter cable which is only used if connecting directly to a transformer. You must purchase a 12 Volt AC transformer separately to power Add-On lights.)

### WARNING:

- Suitable for outdoor use only.
- DO NOT use in water intended for swimming, wading, immersion, or bathing.
- DO NOT tamper with the light cable or connectors, as this can result in injury and will void the warranty.
- DO NOT exceed more than 100ft of total cable length or 100 watts, on one string of lights.

### AVERTISSEMENT:

- Convient pour une utilisation en extérieur seulement.
- NE PAS utiliser dans l'eau destinée à la baignade, à la baignade, à l'immersion ou au bain.
- NE PAS altérer le câble d'éclairage ou les connecteurs, car cela pourrait entraîner des blessures et annuler la garantie.
- NE PAS dépasser plus de 100 pieds de longueur totale de câble ou 100 watts, sur une chaîne de lumières.

## INSTALLATION

- Install your light in the desired place in your fountain or waterfall.
- Run the cable back to either the closest available underwater daisy chain connector on existing lighting system or directly to the 3ft transformer cable provided.
- Connect your light cable connector and tighten the plastic nut to ensure a safe connection.
- Bury the cable 6" below the surface to protect it from damage. Avoid damage to the cable from knives, shovels and stones.
- If not being used, ensure the cap on the underwater daisy chain connector at end of add-on light is tight, to prevent leaking which could cause a short circuit.

## MAINTENANCE

- Follow the maintenance procedures as noted for the 3-Light Kit on previous page.



## EXTENSION CABLES (OPTIONAL)

Extension cables may be necessary to get your lights positioned where you want them. These extension cables are 16ft. long and can be used before the lights or in between lights. This is especially helpful when you need to make sure the controller is more than 10ft from you're a water feature. (Note: Due to voltage line drop, the maximum recommended length of cable in one string is 100 feet from the transformer to the final light fixture.)

### WARNING:

- DO NOT tamper with the cable or connectors as this can result in injury and will void the warranty.
- DO NOT exceed more than 100ft of total cable length or 100 watts on one string of lights.

### AVERTISSEMENT:

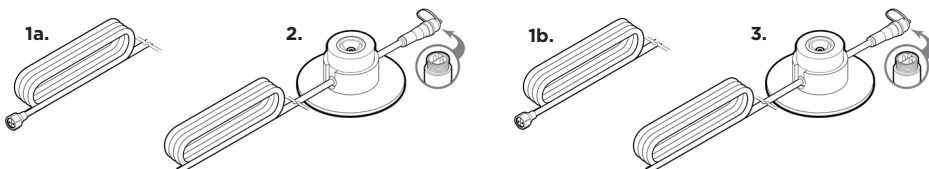
- NE PAS altérer le câble d'éclairage ou les connecteurs, car cela pourrait entraîner des blessures et annuler la garantie.
- NE PAS dépasser plus de 100 pieds de longueur totale de câble ou 100 watts, sur une chaîne de lumières.

## INSTALLATION

- To extend the distance from the transformer to the first light in sequence (2) connect the appropriate end of your extension cable (1a) to the remaining end on 3ft transformer adapter cable or outlet side on other optional accessory (Dimmer, Photocell, etc.). Then connect the remaining end of extension cable, to the cable of the first light (2).
- To extend the distance between two lights, simply connect the appropriate end of the extension cable (1b) to the daisy chain connector from the first light (2) and then connect remaining end of extension cable to the cable of second light (3).
- Tighten the plastic nuts to ensure a safe connection.

## MAINTENANCE

- Check that the extension cable connectors are tight on a periodic bases.
- Avoid damage to the cable with knives, shovels and stones etc.



# FOUNTAIN & WATERFALL LED

## SPLITTERS (OPTIONAL)

Splitters are used to split the power coming from the transformer into multiple lines. This is so you can power multiple light systems with one transformer. The splitter will always be in-line after transformer but before the transformer adapter cable. Available as a 3-way and 5-way splitter (like image below).

### WARNING:

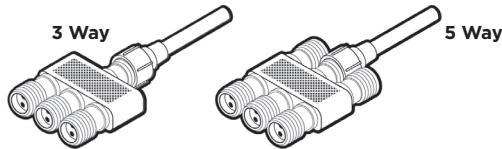
- Do not submerge the power splitters.
- DO NOT exceed more than 100 watts of lighting on a single splitter.

### AVERTISSEMENT:

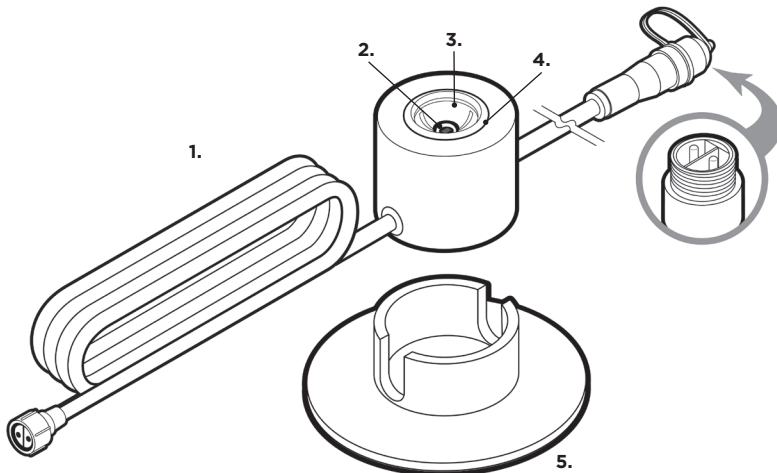
- NE PAS altérer le câble d'éclairage ou les connecteurs, car cela pourrait entraîner des blessures et annuler la garantie.
- NE PAS dépasser plus de 100 pieds de longueur totale de câble ou 100 watts, sur une chaîne de lumières.

## INSTALLATION

- Refer to the installation of the photocell switch above to learn how to install the power splitters.
- Refer to the installation of the extension cables above to learn how to install the underwater splitter.

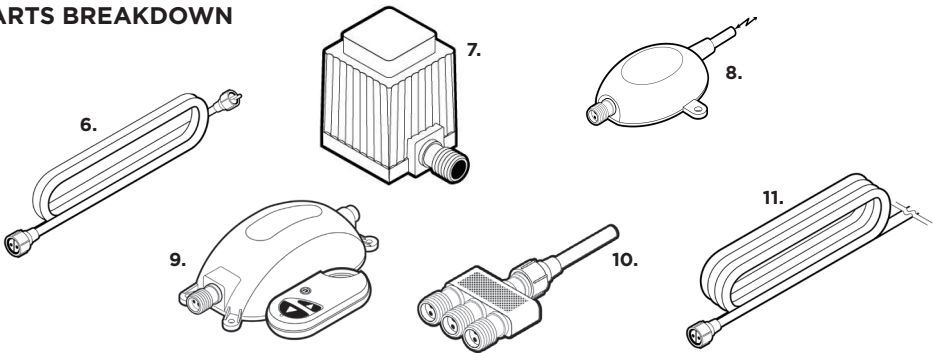


## PARTS BREAKDOWN



\* ALL PICTURES SHOWN ARE FOR ILLUSTRATION PURPOSE ONLY. ACTUAL PRODUCT MAY VARY

## PARTS BREAKDOWN



REF NO.	DESCRIPTION	FOUNTAIN & WATERFALL LIGHT
NOT SHOWN	3-Light Fountain & Waterfall Kit W/Transformer	24PL679
1	Fountain & Waterfall Add-On Light	24PL678
2, 3, 4	Fountain & Waterfall Complete Service Kit (INCLUDES: LED Bulb, Lens Ring, lens, gasket and Lens Ring Removal Tool)	31PS440
5	Light Base	N/A
6	Transformer Adapter Cable, 3ft	31PS458
7	Transformer, 18 Watt (Only available with 3-Light Kit)	24ST015
8	Photocell Light Sensor (Optional)*	24ST430
9	Dimmer Controller and Remote (Optional)*	24ST480
NOT SHOWN	Remote Battery (Optional)*	31PS456
10	3-Way Power Splitter (Optional)*	24ST030
NOT SHOWN	5-Way Power Splitter (Optional)*	24ST031
11	Extension Cable, 16ft (Optional)*	24ST450

\* OFFERED SEPARATELY

ALL PICTURES SHOWN ARE FOR ILLUSTRATION PURPOSE ONLY. ACTUAL PRODUCT MAY VARY

# FOUNTAIN & WATERFALL LED

## TROUBLESHOOTING



Problem	Reason	Solution
LIGHT NOT WORKING	No Power	Check that the transformer plug is connected and power point is working.
	Bad Transformer	Replace the transformer or the fuse within the transformer (if applicable). Check that there is not more than the recommended amount of lights running off the transformer. Wattage required to run lights cannot wattage of transformer.
	Short Circuit/Bad Connection	Inspect and test every light and connection individually on a good transformer until it is determined where the short is at. Replace light or tighten connections to correct the short.
	Damaged Cable	Inspect the entire length of the lighting system cable and look for cuts or damage resulting in exposed copper wire. Replace cable or complete fixture where the damage is.
	Defective Lamp	Inspect the lamp socket is not damaged and make sure that the inside of fixture is free of moisture. Replace the lamp or entire fixture.
LIGHT WORKING INTERMITTINGLY	Damaged Cable	Inspect the entire length of the lighting system cable and look for cuts or damage resulting in exposed copper wire. Replace cable or complete fixture where the damage is.
	Short Circuit/Bad Connection	Inspect and test every light and connection individually on a good transformer until it is determined where the short is at. Replace parts or tighten connections to correct the short.
	Defective Lamp	Inspect the lamp socket is not damaged and make sure that the inside of fixture is free of moisture. Replace the lamp or entire fixture.
	Bad Transformer	Replace the Transformer. Check that there is not more than the recommended amount of lights running off the transformer.



# FOUNTAIN & WATERFALL LED

## LIMITED WARRANTY

- This product is warranted to the initial purchaser to be free of defects in materials and manufacture workmanship at the time of initial purchase and for a period of 2 years after. Some parts are consumable and may need to be replaced as part of ongoing product maintenance and are not covered by this Warranty. In the event this product malfunctions within 2 years from the date of purchase, the sole obligation of PondMAX™ International (hereinafter referred to as PondMAX™) will be to repair the unit or replace with an equivalent new or factory refurbished unit at PondMAX's discretion, subject to the following condition:
- The malfunction is proved attributable to a defect in materials or manufacture workmanship, including repairs performed under this warranty. Malfunction for any other reason including but not limited to misuse, negligence, accident, or tampering with parts, incorrect wiring, or improper installation-will not be remedied under this warranty.
- PondMAX™ specifically does not guarantee chemical compatibility, and expressly does not warrant units from any problems caused by chemical attack or failure due to incompatibility of fluid used near this lights system.
- All warranty repairs must be performed by PondMAX™ or a PondMAX™ authorized company.
- Purchaser must retain the purchase receipt and present it with this certificate as proof of ownership and entitlement to warranty repairs. Unauthorized repairs will not be compensated by PondMAX™, and are not the responsibility of PondMAX™, and if such repairs damage the product, such damages are not remedied under this warranty.
- Purchaser shall bear all onsite labor, shipping, packing and insurance costs and all other costs, excluding in house labor and parts necessary to effectuate repairs under this warranty.
- This warranty is in lieu of all other express warranties which now or hereafter might otherwise arise with respect to this product. Any and all limited warranties, including the warranties of merchantability and fitness for particular purpose, shall have no greater duration than the duration period of the express written warranty applicable to this product, and shall terminate automatically the expiration of such duration period.
- Some states do not allow limitations on how long an implied warranty lasts, so the above limitation may not apply to you. No action shall be brought for breach of any implied or express warranty after one year subsequent to the expiration of the duration period of the express written warranty.
- Incidental and consequential damages caused by malfunction, defect, or otherwise, and with respect to breach of any express or implied warranty, are not the responsibility of PondMAX™, and, to the extent permitted by law, are hereby excluded for property damage, loss of livestock and, to the extent not unconscionable, for personal injury damage. Some states do not allow the exclusion or limitation of incidental or consequential damages, so the above limitation or exclusion may not apply to you.
- This warranty does not apply to any malfunction arising out of any application of this product other than normal use, unless such application is upon request specifically approved in writing by PondMAX™.
- The provisions of this warranty are severable and if any provision shall be deemed invalid, the remaining provisions shall remain in full force and effect.
- Rights under this warranty are not assignable without the express prior consent in writing by PondMAX™ and, regardless of the terms of such consent in writing, such assignee shall have no greater rights than his assignor had against PondMAX™.

**Please consult your retailer for quality original PondMAX replacement parts.**

**Visit [www.pondmax.com](http://www.pondmax.com) for your nearest dealer.**

**888.868.1185**

**[info@pondmax.com](mailto:info@pondmax.com)**



---

WATERGARDENING TO THE MAX

---

**888.868.1185**

**[info@pondmax.com](mailto:info@pondmax.com)**