

PondMAX

WATERGARDENING TO THE MAX

PS300 IN-POND SKIMMER

INSTRUCTION MANUAL



EVOLV
SERIES

888.868.1185

info@pondmax.com

www.pondmax.com

DATE
JUN 2018 v1.0

MODEL
PS300

WELCOME TO THE WORLD OF **PONDMAX™**.
YOU MADE THE RIGHT CHOICE INVESTING IN THIS
QUALITY PRODUCT. **THANK YOU AND ENJOY.**

TECHNICAL SPECIFICATIONS

DESCRIPTION	EP700
POND SURFACE AREA, MAX. (FT)	300
RECOMMENDED FLOW RATE (GPH)	1,500 - 4,000
HEIGHT ADJUSTMENT, MIN-MAX. (INCH)	21 - 32
WATER LEVEL VARIATION (INCH)	6
CONNECTIONS - OUTLET (INCH)	1 / 1¼ / 1½
DIMENSIONS DIA. X HEIGHT (INCH)	14 X 32

DESIGN HIGHLIGHTS

The PondMAX In-Pond Skimmer have been manufactured with quality construction technology to provide you with the best quality products for your pond or water feature. Visit our website to view our range of pond filtration, outdoor/ underwater lighting, water treatments and general accessories.

- Easy to install and maintain
- Durable ABS plastic design provides longevity.
- Telescoping design adjusts to different depths
- Self-adjusting floating sleeve-allows up to 6" of water level fluctuation
- Great for retrofit applications- no need to cut liner
- Large receptacle base for weighting down
- Stepped hosetail fitting-allow you to adapt to a variety of hose sizes
- Suitable for any type of pond

BENEFITS

The PondMAX PS300 In-Pond Skimmer effectively removes leaves and other floating debris from the pond surface. The PS300 skimmer will automatically adjust to changes in water level (up to 6"), making it the ideal choice for anyone that may experience water loss or gain throughout the year.

The PS300 is also an ideal solution for those who have no existing skimmer, but would like the added benefits of one. This is accomplished by placing the skimmer in the water in desired location and weighing it down to the pond bottom. There is no need to cut the liner or modify the structural integrity of the pond, the PS300 is truly a great choice for anyone who wants a simple solution for their pond skimming needs.

PS300 IN-POND SKIMMER



IMPORTANT SAFEGUARDS

Please read the operating instructions and familiarize yourself with the equipment before placing it in service. Correct and safe use of the system requires strict compliance with these safety instructions.

For safety reasons persons less than 16 years of age or persons that are not familiar with these instructions, should not use this equipment.

- Any damage to the equipment or unmerited operation can potentially bring dangers to the surrounding precincts. If there is any damage of the equipment, it must not to be used. The equipment should be placed out of reach of children.
- For your own safety, completely disconnect all electrical appliances working in conjunction with skimmer (e.g. pump, UVC), before any maintenance of equipment is attempted on/in the body of water. Always unplug the pump from the power supply when not in use. Never pull the cable to disconnect the plug from the power supply - Grasp the plug and pull to disconnect. Care should be taken to ensure the power cable is situated to avoid a tripping hazard.
- Do not operate the skimmer if any components of the system have been damaged. Check skimmer and all components for defects regularly.
- Consult with a PondMAX authorized dealer or place of purchase, if a fault occurs. Regular maintenance is not considered a repair (e.g. cleaning basket is required by user).

PRODUCT SPECIFIC SAFEGUARDS

- The PS300 Skimmer is designed to be used specifically in garden pond applications. It is not to be used in any other manner or purpose. Do not use the skimmer in, or in conjunction with, any chemicals such as a solvent or gasoline or flammable gases.
- The Skimmer works best on an entirely level and flat plane. We highly recommend weighing the unit down with stones or bricks using the receptacle base, to avoid any unnecessary movement.
- The Skimmer is equipped with a removable debris basket. The basket needs to be cleaned regularly to prevent the skimmer becoming clogged, causing the skimmer to not skim surface of pond properly. In the event of neglect, product malfunction is not warratable.
- As with all pond skimmers or similar products, wear and tear will inevitably occur over time. PondMAX offers all original parts and accessories for this unit. Check the exploded view later in these instructions to identify any parts you may need.



Find us on

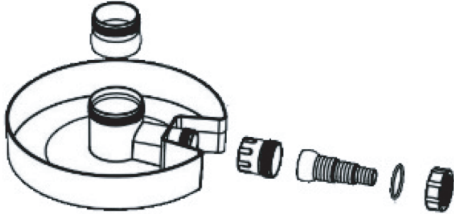
Facebook

@TeamPondMAX

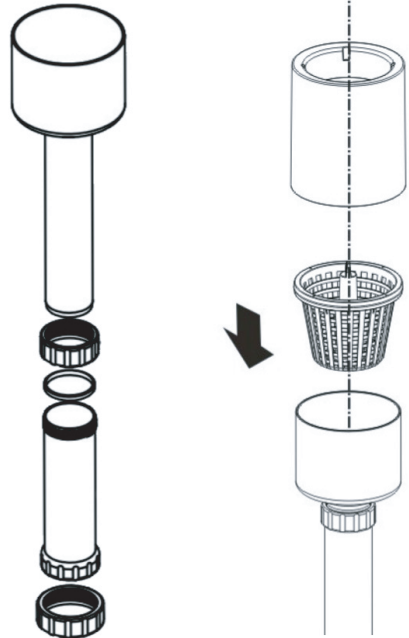


PRODUCT ASSEMBLY & INSTALLATION

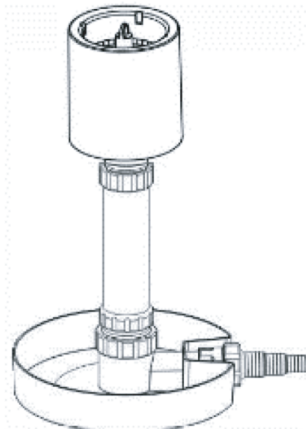
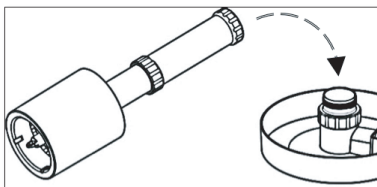
1. FIRST ASSEMBLE FITTING ONTO THE BASE OF SKIMMER.



2. NEXT ASSEMBLE CENTER PIPE TOGETHER AND PLACE DEBRIS BASKET AND FLOATING SLEEVE INTO POSITION.

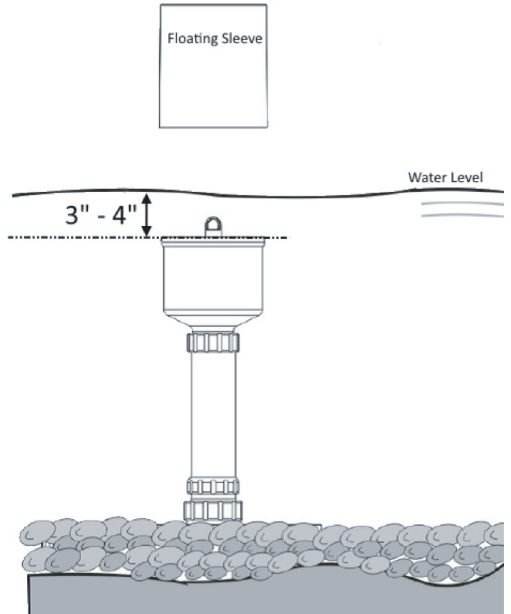


3. NOW ASSEMBLE CENTER PIPE ONTO THE BASE OF SKIMMER.



PS300 IN-POND SKIMMER

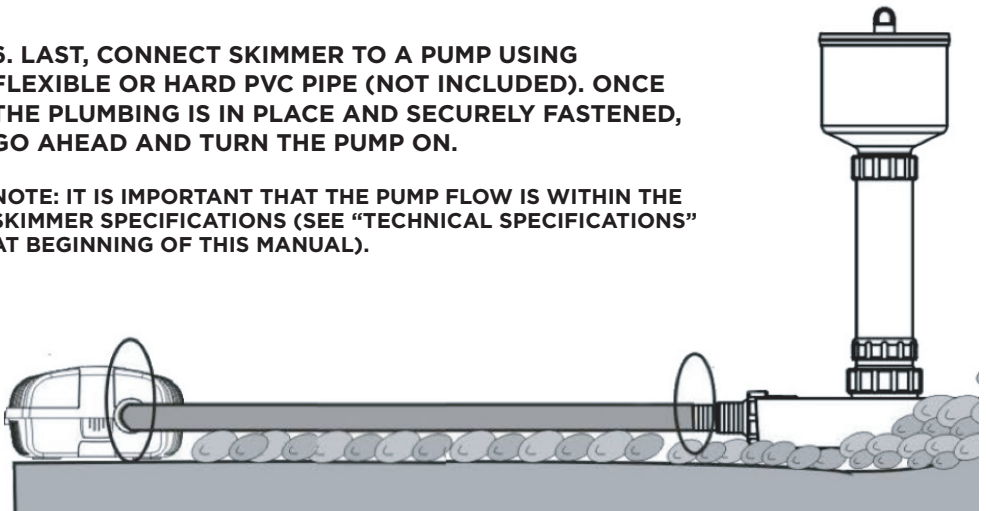
4. ONCE FULLY ASSEMBLED, PLACE THE SKIMMER IN DESIRED LOCATION WITHIN POND (PREFERABLY AT A DEPTH BETWEEN 24" - 36"). MAKE SURE TO PLACE ON A FLAT SURFACE, USE SMALL ROCKS TO LEVEL IF NEEDED.



5. NEXT WEIGH DOWN THE SKIMMER BY PLACING ROCKS, BRICKS OR PIECES OF CONCRETE IN BASE RECEPTACLE, TO HOLD THE SKIMMER IN PLACE.

6. LAST, CONNECT SKIMMER TO A PUMP USING FLEXIBLE OR HARD PVC PIPE (NOT INCLUDED). ONCE THE PLUMBING IS IN PLACE AND SECURELY FASTENED, GO AHEAD AND TURN THE PUMP ON.

NOTE: IT IS IMPORTANT THAT THE PUMP FLOW IS WITHIN THE SKIMMER SPECIFICATIONS (SEE "TECHNICAL SPECIFICATIONS" AT BEGINNING OF THIS MANUAL).



CLEANING & MAINTENANCE

Make sure to unplug power to pump prior to performing maintenance on the Skimmer or any of its accessories. We recommend general maintenance of the unit every 1-2 weeks (more or less depending on circumstance).

The PS300 In-Pond Skimmer is equipped with a debris basket located under the floating sleeve, which needs to be removed and manually cleaned on a regular basis.

Do this by simply pulling the floating sleeve up and off of the Skimmer center pipe. Next grab the debris basket and remove as well.

Once off the Skimmer, go ahead and manually remove any debris that has collected in basket using your hand. If needed rinse the basket in bucket of pond water or with garden hose. Reassemble in reverse order.

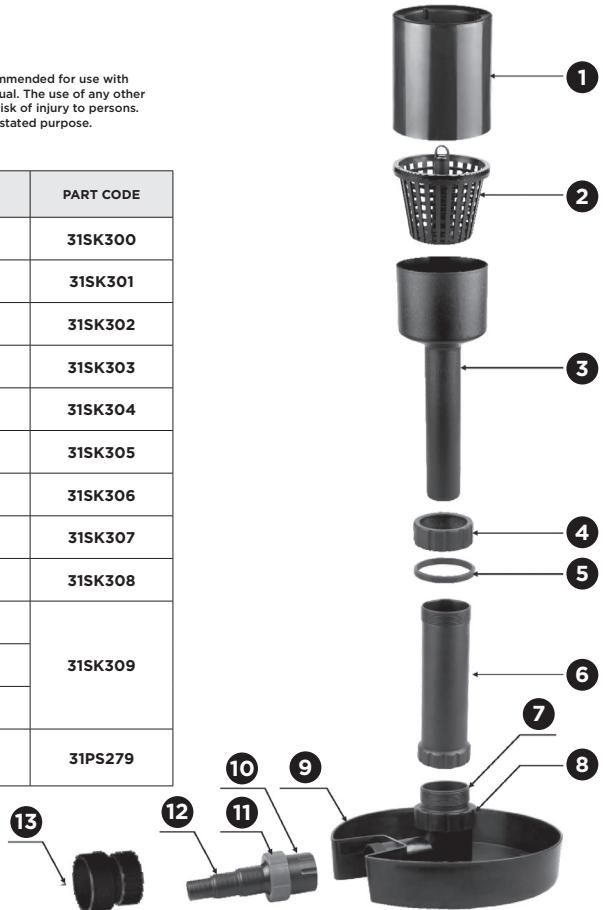
EXPLODED VIEW



IMPORTANT

These accessories and attachments are recommended for use with your PondMAX product specified in this manual. The use of any other accessories or attachments might present a risk of injury to persons. Only use the accessory or attachment for its stated purpose.

REF.	DESCRIPTION	PART CODE
1	FLOATING SLEEVE	31SK300
2	DEBRIS BASKET	31SK301
3	CENTER PIPE (TOP)	31SK302
4	COUPLING NUT	31SK303
5	COUPLING GASKET	31SK304
6	CENTER PIPE (BOTTOM)	31SK305
7	PIVOTING JOINT	31SK306
8	PIVOT JOINT NUT	31SK307
9	RECEPTACLE BASE	31SK308
10	REDUCER BUSHING (MPT X FPT)	31SK309
11	HOSETAIL NUT & O-RING	
12	PIVOTING STEPPED OUTLET	
13	SCH. 40 ADAPTER W/ LOCKING NUT 1½" SLIP	31PS279



PS300 IN-POND SKIMMER

TROUBLESHOOTING

PROBLEM	REASON	SOLUTION
SKIMMER NOT WORKING	No Power To Pump	Check that the plug on power cable is connected to power and confirm that power point is working.
	Debris Basket Clogged	Clean debris from basket.
	Plumbing Damaged or Not Connected	Inspect the entire length of the plumbing configuration between pump and skimmer, to check for cuts or damage. Replace plumbing or reattach.
	Pump Not Producing Enough Flow	Check that the pump is sized correctly (per Skimmer specifications). Also check that nothing is blocking the flow.
SKIMMER WORKING INTERMITTINGLY	Plumbing Damaged or Not Connected	Inspect the entire length of the plumbing configuration between pump and skimmer, to check for cuts or damage. Replace plumbing or reattach.
	Debris Basket Clogged	Clean debris from basket.
	Defective Pump	Check that the pump is working continuously and confirm the power point is working correctly.
	Pump Not Producing Enough Flow	Check that the pump is free of any blockage and that the pump is sized correctly (per Skimmer specifications).
SKIMMER WORKING WITH MINIMAL SKIMMING ACTION	Failing Pump	Check that the pump is working continuously and confirm the power point is working correctly.
	Pump Not Producing Enough Flow	Check that the pump is free of any blockage and that the pump is sized correctly (per Skimmer specifications).
	Debris Basket Clogged	Clean debris from basket.



LIMITED WARRANTY

THIS PRODUCT IS WARRANTED TO THE INITIAL PURCHASER TO BE FREE OF DEFECTS IN MATERIALS AND MANUFACTURE WORKMANSHIP AT THE TIME OF INITIAL PURCHASE AND FOR A PERIOD OF 2 YEARS AFTER. SOME PARTS ARE CONSUMABLE (E.G. DEBRIS BASKET, ETC.) AND MAY NEED TO BE REPLACED AS PART OF ONGOING PRODUCT MAINTENANCE AND ARE NOT COVERED BY THIS WARRANTY. IN THE EVENT THIS UNIT MALFUNCTIONS WITHIN 2 YEARS FROM THE DATE OF PURCHASE, THE SOLE OBLIGATION OF PONDMAX (HEREINAFTER REFERRED TO AS PONDMAX) WILL BE TO REPAIR THE UNIT OR REPLACE WITH AN EQUIVALENT NEW OR FACTORY REFURBISHED UNIT AT PONDMAX'S DISCRETION, SUBJECT TO THE FOLLOWING CONDITION:

- The malfunction is proved attributable to a defect in materials or manufacture workmanship, including repairs performed under this warranty. Malfunction for any other reason including but not limited to misuse, negligence, accident, or tampering with parts, incorrect wiring, or improper installation-will not be remedied under this warranty.
- PondMAX specifically does not guarantee chemical compatibility, and expressly does not warrant units from any problems caused by chemical attack or failure due to incompatibility of fluid used near this aeration system.
- All warranty repairs must be performed by PondMAX or a PondMAX authorized company.
- Purchaser must retain the purchase receipt and present it with this certificate as proof of ownership and entitlement to warranty repairs. Unauthorized repairs will not be compensated by PondMAX, and are not the responsibility of PondMAX, and if such repairs damage the product, such damages are not remedied under this warranty.
- Purchaser shall bear all onsite labor, shipping, packing and insurance costs and all other costs, excluding in house labor and parts necessary to effectuate repairs under this warranty.
- This warranty is in lieu of all other express warranties which now or hereafter might otherwise arise with respect to this product. Any and all limited warranties, including the warranties of merchantability and fitness for particular purpose, shall have no greater duration than the duration period of the express written warranty applicable to this product, and shall terminate automatically the expiration of such duration period.
- Some states do not allow limitations on how long an implied warranty lasts, so the above limitation may not apply to you. No action shall be brought for breach of any implied or express warranty after one year subsequent to the expiration of the duration period of the express written warranty.
- Incidental and consequential damages caused by malfunction, defect, or otherwise, and with respect to breach of any express or implied warranty, are not the responsibility of PondMAX, and, to the extent permitted by law, are hereby excluded for property damage, loss of livestock and, to the extent not unconscionable, for personal injury damage. Some states do not allow the exclusion or limitation of incidental or consequential damages, so the above limitation or exclusion may not apply to you.
- This warranty does not apply to any malfunction arising out of any application of this product other than normal use, unless such application is upon request specifically approved in writing by PondMAX.
- The provisions of this warranty are severable and if any provision shall be deemed invalid, the remaining provisions shall remain in full force and effect.
- Rights under this warranty are not assignable without the express prior consent in writing by PondMAX and, regardless of the terms of such consent in writing, such assignee shall have no greater rights than his assignor had against PondMAX.

**Please consult your retailer for quality original PondMAX replacement parts.
Visit www.pondmax.com for your nearest stockists.**